

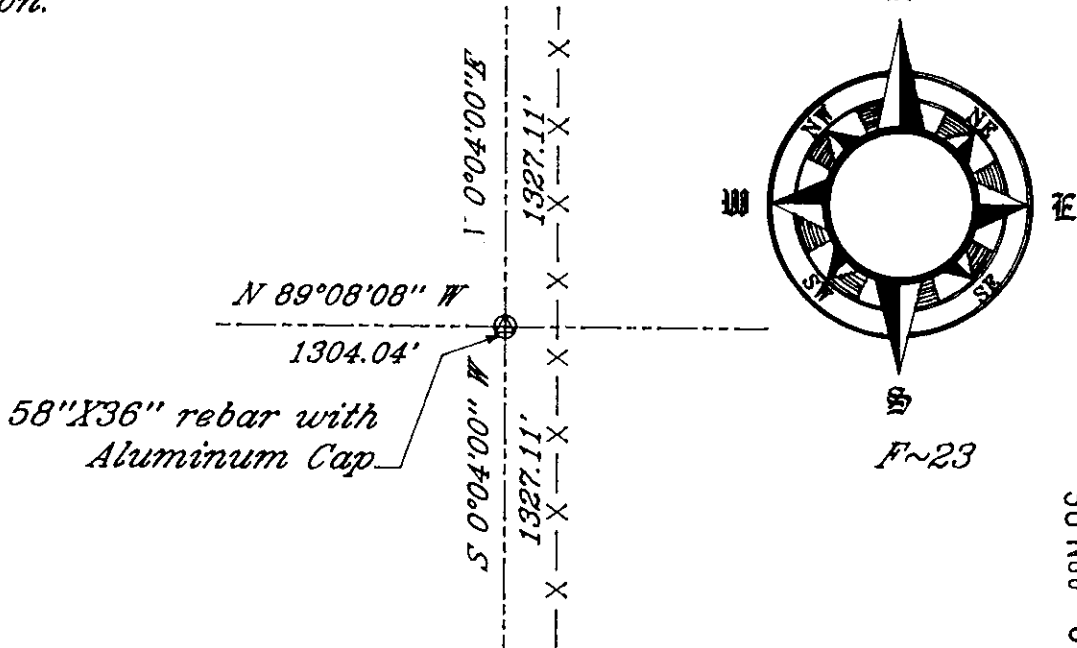
State of Wyoming Corner Record

(In compliance with the CORNER PERPETUATION AND FILING ACT, Wyoming Statutes, 1977, Section 36-11-101, et, seq., and the Rules and Regulations of the Board of Registration for Professional Engineers and Professional Land Surveyors)

Reverse side of this form may be used if more space is needed.

Record of original survey and citation of source of historical information (if corner is lost or obliterated). Description of corner monumentation evidence found and/or monument and accessories established to perpetuate the location of this corner. Sketch of relative location of monument, accessories, and reference points with course and distance to adjacent corner(s) (if determined in this survey). Method and rationale for reestablishment of lost or obliterated corner.

No 1/16 corners were set by G.L.O.
Monumentation set as shown
hereon.



96 NOV 6 PM 2 34

LARAMIE COUNTY CLERK
CHEYENNE, WY.

192934

Date of Field Work: _____ Office Reference: _____

CROSS INDEX DIAGRAM

Firm/Agency, Address

1	2	3	4	5	6	7	8	9	10	11	12	13	14	15	16	17	18	19	20	21	22	23	24	25	
A																									A
B	6					5																			B
C																									C
D																									D
E																									E
F																									F
G	7																								G
H																									H
J																									J
K																									K
L	18																								L
M																									M
N																									N
O																									O
P	19																								P
Q																									Q
R																									R
S																									S
T	30																								T
U																									U
V																									V
W																									W
X	31																								X
Y																									Y
Z																									Z
	1	2	3	4	5	6	7	8	9	10	11	12	13	14	15	16	17	18	19	20	21	22	23	24	25

Terrestrial Surveying & Mapping
P. O. Box 82
Cheyenne, WY 82003
Telephone Number: 307 634-9360

This corner record was prepared by me
or under my direction and
supervision.

SEAL & SIGNATURE

Larry J. Perry
1 Nov 96

Corner Name: CS 1/16 Section: 12 T 12^N R 66^W P.H. Cross-Index No.: F-23